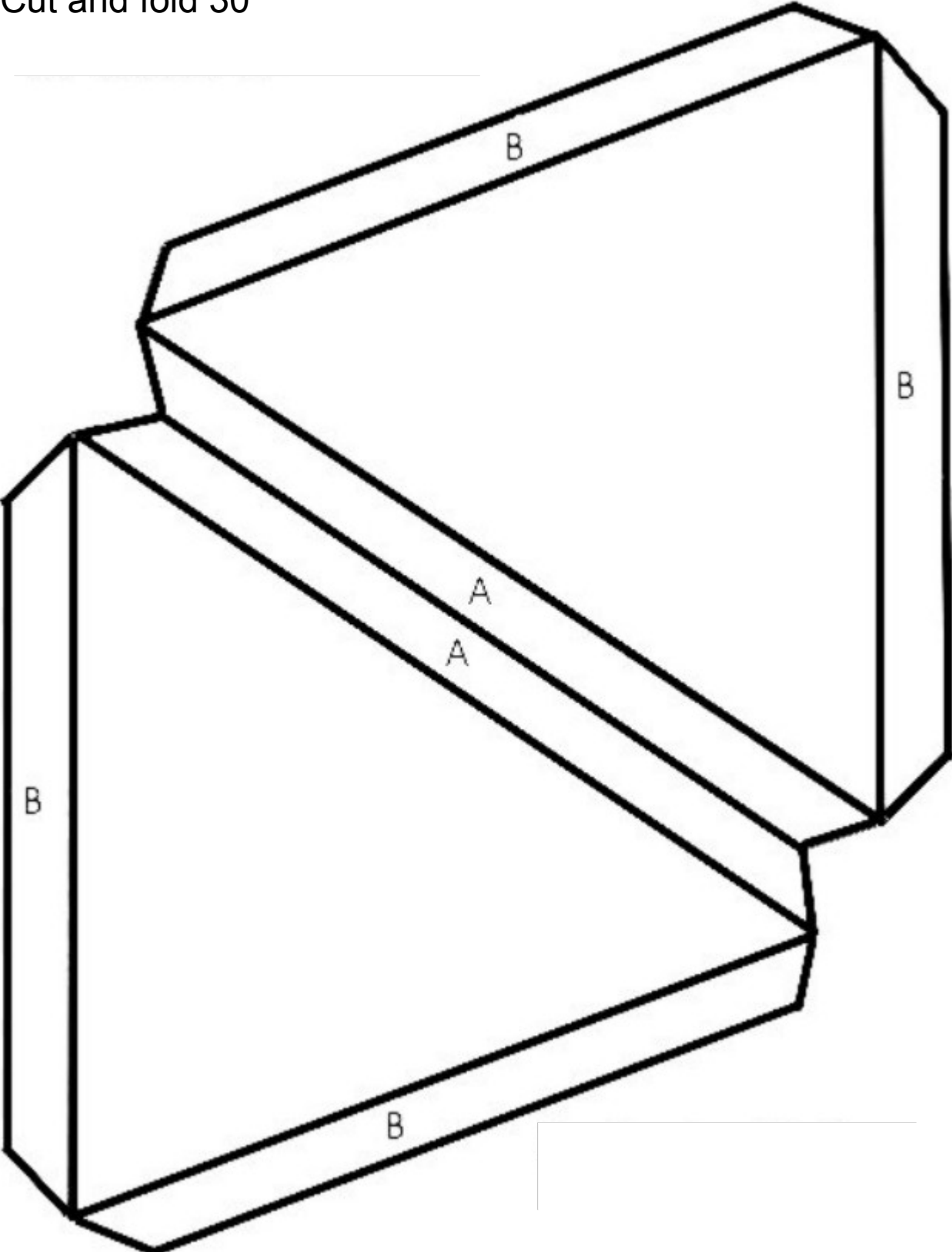


Elements for 50 cm dome
Cut and fold 30



Important confirm size of elements
A = 15.45 cm, B = 13.66 cm